

FLOOR PLAN

SCALE: NTS

ARCH REF: A/1.0

QUANTITY: TYPE 1 - 01
 TYPE 2 - 03
 TYPE 3 - 01

1

GROUND FLOOR

KAWNEER IR-501 IMPACT ALUMINUM STOREFRONT
 HORTON AUTMATIC SERIES 310, ALUMINUM AUTOMATIC SLIDING DOOR

SUB	BY	DATE	DESCRIPTION
2	fp	11/09/22	REPLACE HORTON AUTMATIC SLIDER WITH A STANLEY SLIDER
1	fp	09/29/22	First Submittal

EVINS GLASS SERVICE, INC

101 N.P.I.D., CORPUS CHRISTI, TX 78406

WORK (361) 884-3995 FAX (361) 884-4262

PROJECT: SPEC'S LIQUOR
NEW BUILDING
 ARCHITECT: McCLURE PARTNERS
 (817) 2657844
 GENERAL CONTRACTOR: CROSSLAND CONSTRUCTION CO., INC.
 (361) 877-6397

PROJECT NO. EGS-2209-03

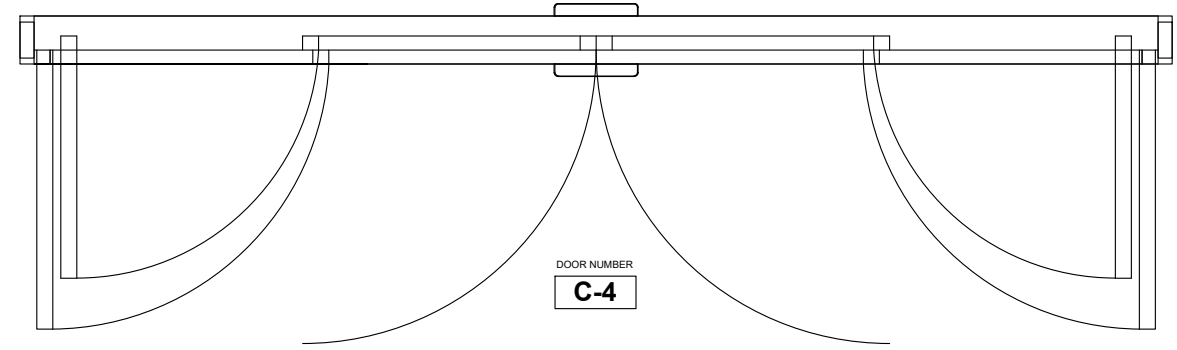
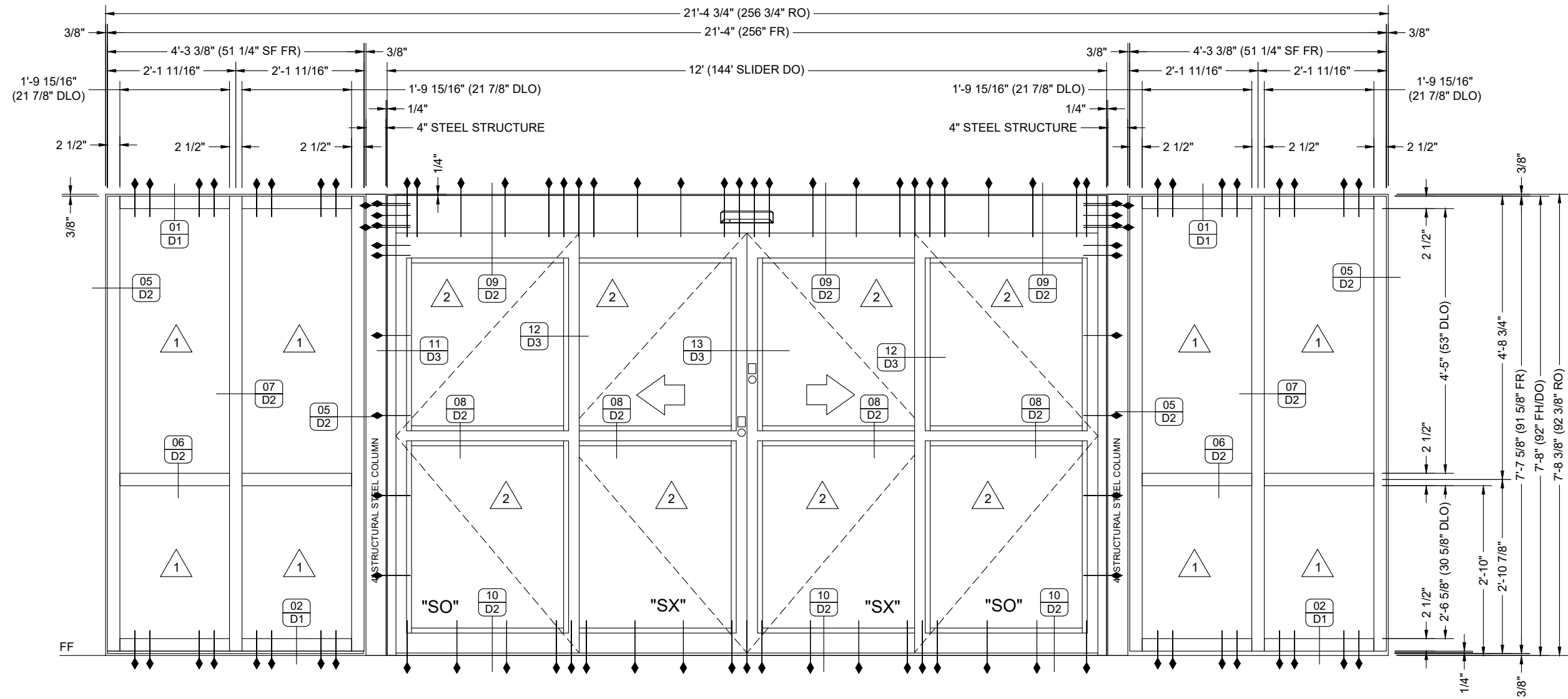
DRAWN BY: fp DATE: 11/09/22

SCALE: NTS

DRAWING: FLOOR PLANS

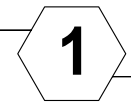
SHEET: P1

NO.	DATE	DESCRIPTION
1	11/09/22	REPLACE HORTON AUTOMATICS SLIDER WITH A STANLEY SLIDER
2	09/29/22	First Submittal



ELEVATION

QUANTITY: 01
SCALE: 1/2" = 1'-0"
ARCH REF: 1/A1.0
3/A2.0
DS-4/A3.0
DT-C/A3.0
WT-1/A3.0



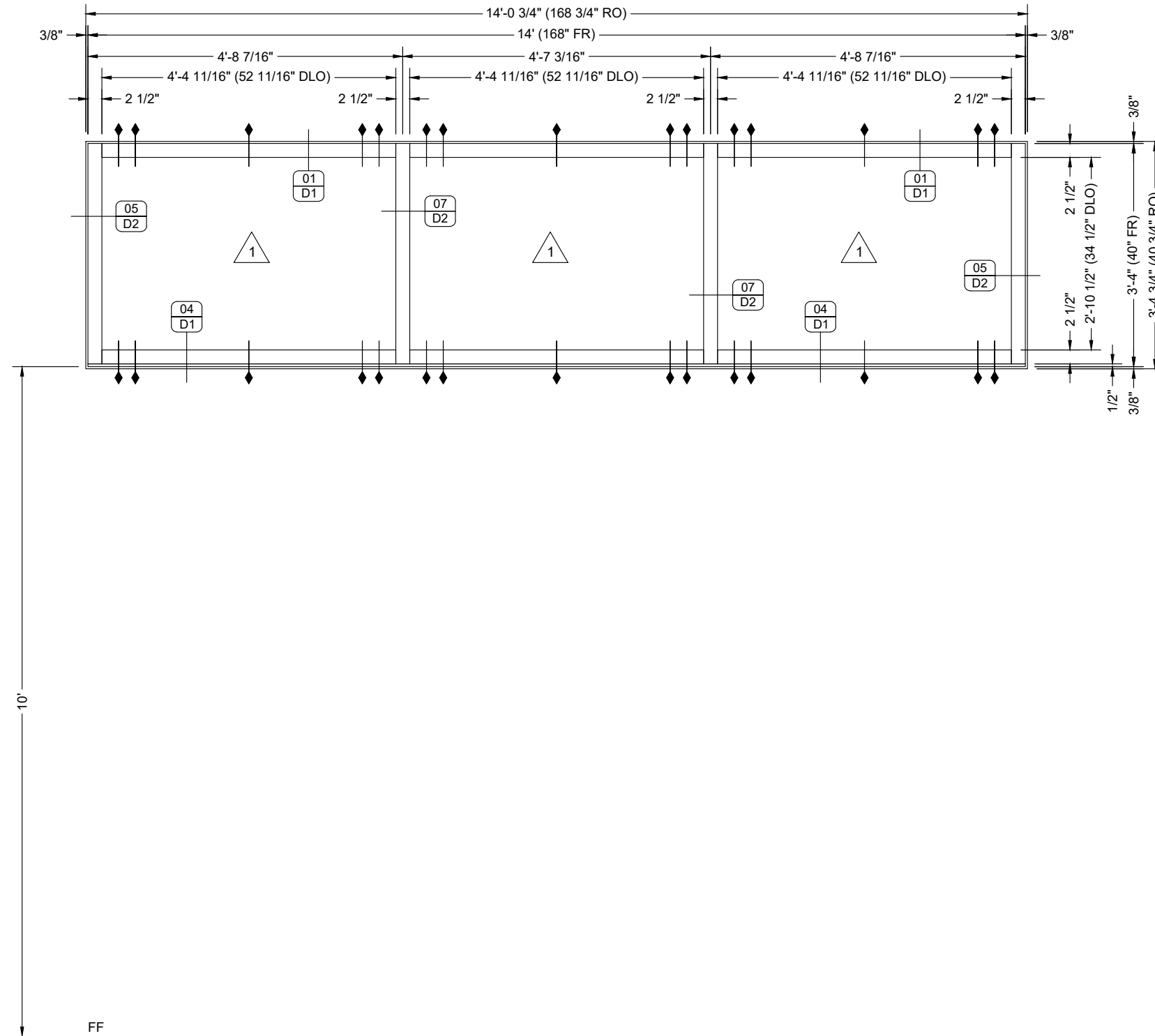
EXT ENTRANCE

KAWNEER IR-501 IMPACT ALUMINUM STOREFRONT
HORTON AUTOMATICS ALUMINUM SLIDING DOOR W/FULL
EMERGENCY BREAKOUT

EVINS GLASS SERVICE, INC
101 N.P.I.D., CORPUS CHRISTI, TX 78406
WORK (361) 884-3995 FAX (361) 884-4262

PROJECT: SPEC'S LIQUOR
NEW BUILDING
ARCHITECT: MCCLURE PARTNERS (817) 265-7644
GENERAL CONTRACTOR: CROSSLAND CONSTRUCTION CO., INC. (361) 877-6397

PROJECT NO.	EGS-2209-03
DRAWN BY	fp
DATE	11/09/22
SCALE	1/2" = 1'-0"
DRAWING	ELEVATIONS
SHEET	E1



ELEVATION

QUANTITY: 03
SCALE: 1/2" = 1'-0"
ARCH REF: 1/A1.0
1/A2.0
WT-2/A3.0

2

EXT STOREFRONT

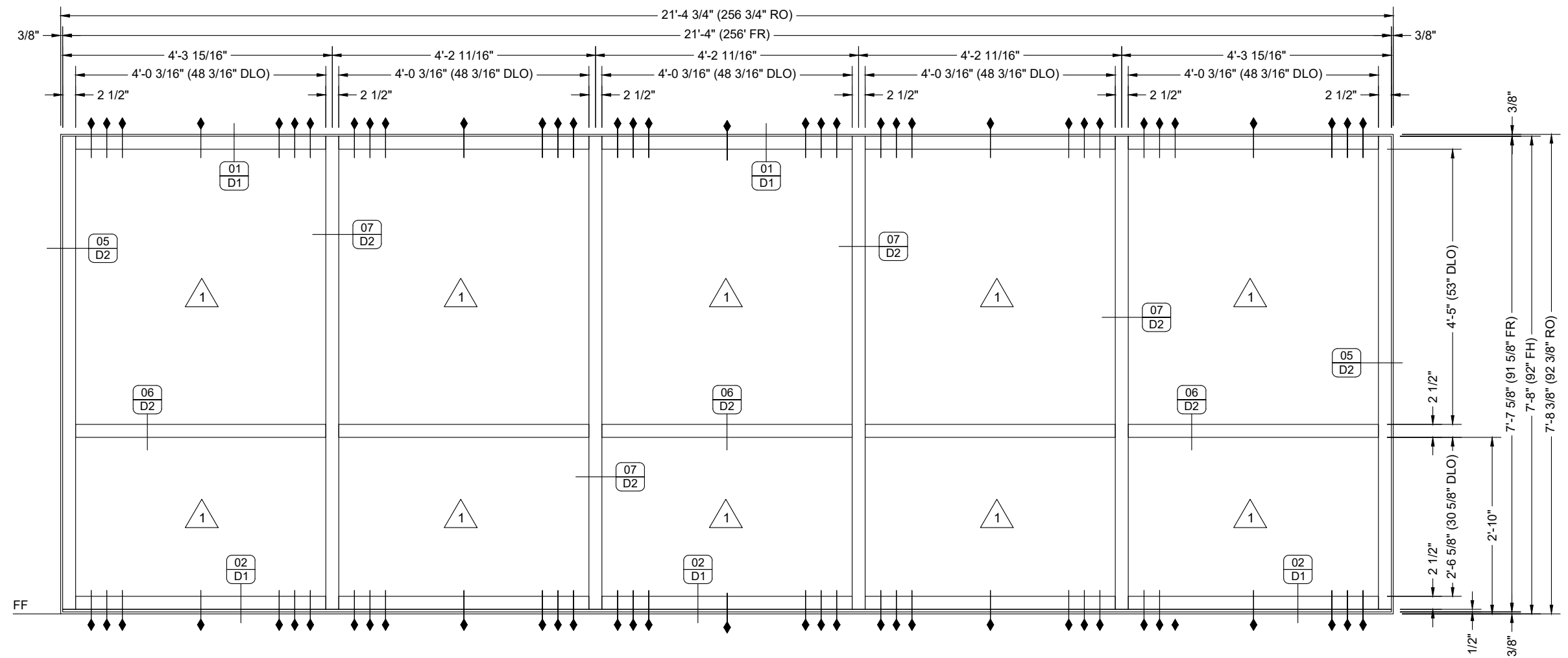
KAWNEER IR-501 IMPACT ALUMINUM STOREFRONT

NO	REV	DATE	DESCRIPTION
1	1	09/29/22	First Submittal
2	1	11/09/22	REPLACE HORTON AUTOMATICS SLIDER WITH A STANLEY SLIDER

EVINS GLASS SERVICE, INC
101 N.P.I.D., CORPUS CHRISTI, TX 78406
WORK (361) 884-3995 FAX (361) 884-4262

PROJECT: SPEC'S LIQUOR
NEW BUILDING
ARCHITECT: MCCLURE PARTNERS (817) 2657844
GENERAL CONTRACTOR: CROSSLAND CONSTRUCTION CO., INC. (361) 877-6397

PROJECT NO.	EGS-2209-03
DRAWN BY	fp
DATE	11/09/22
SCALE	1/2" = 1'-0"
DRAWING	ELEVATIONS
SHEET	E2



ELEVATION

QUANTITY: 01
 SCALE: 1/2" = 1'-0"
 ARCH REF: 1/A1.0
 1/A2.0
 WT-3/A3.0



3 EXT STOREFRONT

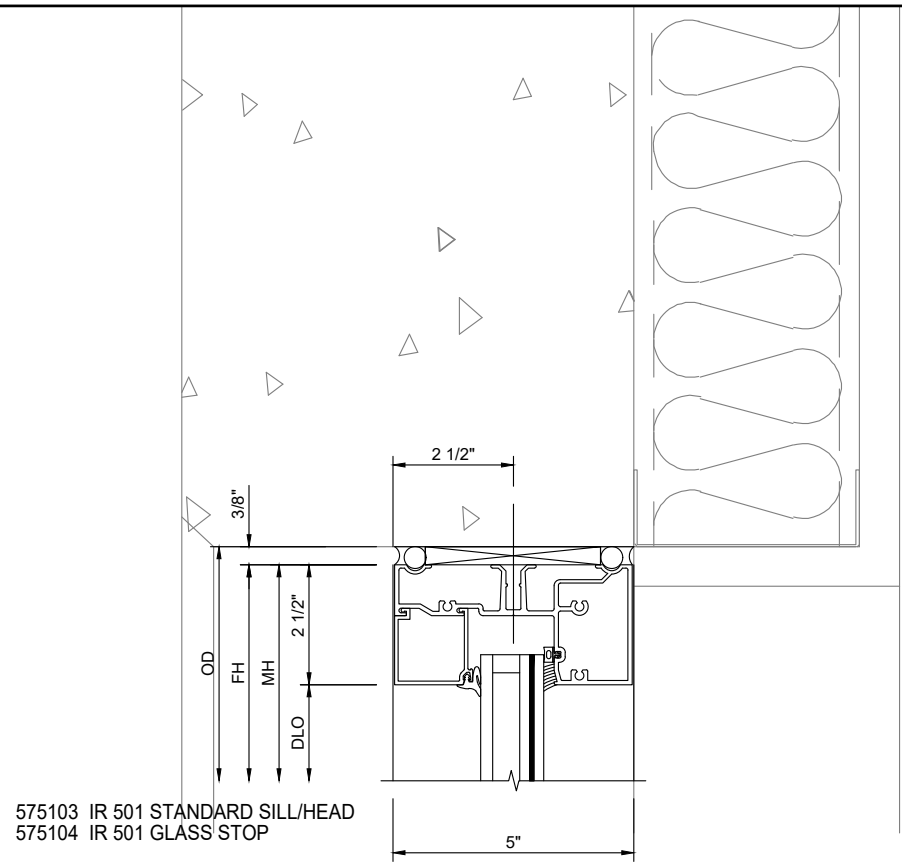
KAWNEER IR-501 IMPACT ALUMINUM STOREFRONT

NO.	DATE	DESCRIPTION
2	11/09/22	REPLACE HORTON AUTOMATICS SLIDER WITH A STANLEY SLIDER
1	09/29/22	First Submittal

EVINS GLASS SERVICE, INC
 101 N.P.I.D., CORPUS CHRISTI, TX 78406
 WORK (361) 884-3995 FAX (361) 884-4262

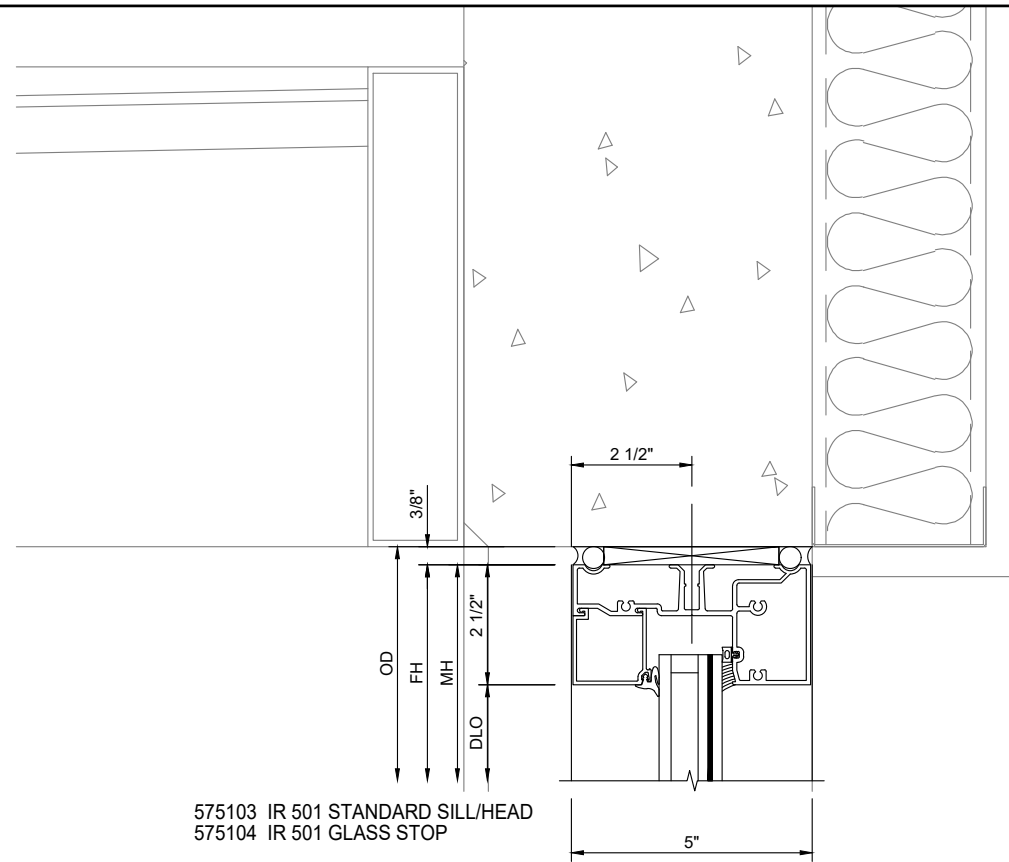
PROJECT: SPEC'S LIQUOR
NEW BUILDING
 ARCHITECT: **MCCLURE PARTNERS**
 (817) 2657644
 GENERAL CONTRACTOR: **CROSSLAND CONSTRUCTION CO., INC.**
 (361) 877-6397

PROJECT NO.	EGS-2209-03
DRAWN BY	fp
DATE	11/09/22
SCALE	1/2" = 1'-0"
DRAWING	ELEVATIONS
SHEET	E3



575103 IR 501 STANDARD SILL/HEAD
 575104 IR 501 GLASS STOP

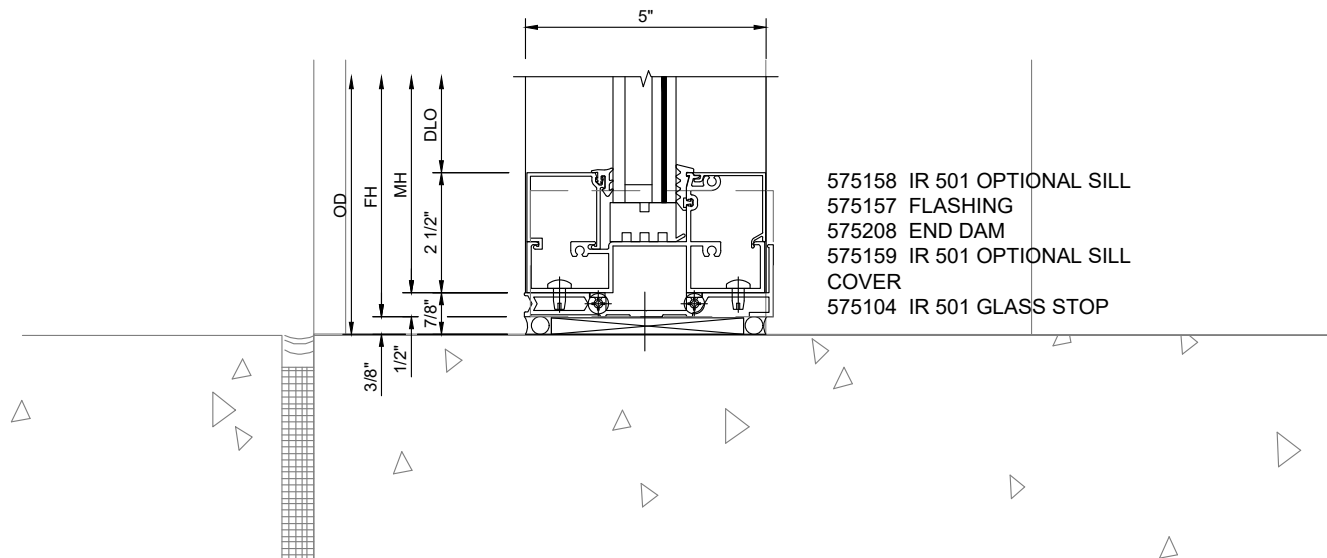
DETAIL **01** HEAD
 SCALE: 3" = 1'-0"
 ARCH REF: 3/A4.0
KAWNEER IR-501 IMPACT ALUMINUM STOREFRONT



575103 IR 501 STANDARD SILL/HEAD
 575104 IR 501 GLASS STOP

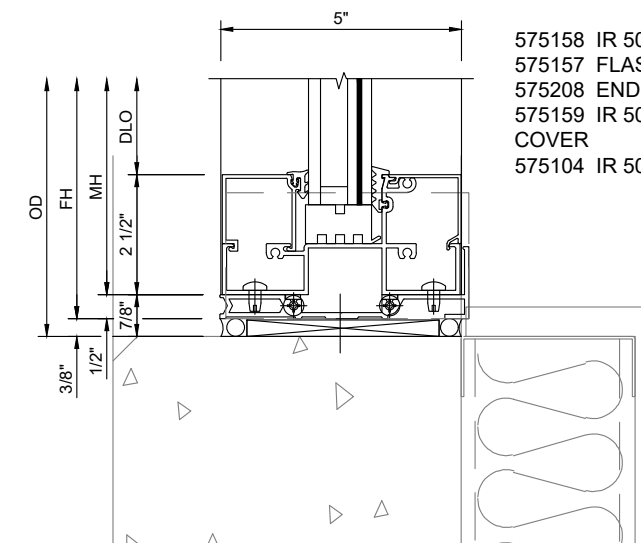
DETAIL **03** HEAD
 SCALE: 3" = 1'-0"
 ARCH REF: 1/A4.1
KAWNEER IR-501 IMPACT ALUMINUM STOREFRONT

DETAIL **02** SILL
 SCALE: 3" = 1'-0"
 ARCH REF: 3/A4.0
KAWNEER IR-501 IMPACT ALUMINUM STOREFRONT



575158 IR 501 OPTIONAL SILL
 575157 FLASHING
 575208 END DAM
 575159 IR 501 OPTIONAL SILL COVER
 575104 IR 501 GLASS STOP

DETAIL **04** SILL
 SCALE: 3" = 1'-0"
 ARCH REF: 1/A4.1
KAWNEER IR-501 IMPACT ALUMINUM STOREFRONT



575158 IR 501 OPTIONAL SILL
 575157 FLASHING
 575208 END DAM
 575159 IR 501 OPTIONAL SILL COVER
 575104 IR 501 GLASS STOP

NO.	REV.	DATE	DESCRIPTION
2	fp	11/09/22	REPLACE HORTON AUTOMATICS SLIDER WITH A STANLEY SLIDER
1	fp	09/29/22	First Submittal

EVINS GLASS SERVICE, INC
 101 N.P.I.D., CORPUS CHRISTI, TX 78406
 WORK (361) 884-3995 FAX (361) 884-4262

PROJECT: SPEC'S LIQUOR
NEW BUILDING
 ARCHITECT: **MCCLURE PARTNERS**
 (817) 2657644
 GENERAL CONTRACTOR: **CROSSLAND CONSTRUCTION CO., INC.**
 (361) 877-6397

PROJECT NO.	EGS-2209-03
DRAWN BY	fp
DATE	11/09/22
SCALE	3" = 1'-0"
DRAWING	DETAILS
SHEET	D1